



- Measurement with magnetic principle
- Non-contact operation
- Incremental measurement
- Different hollow diameters from 6 mm to 20 mm
- All resolution values between 1 and 1024 pulses
- 300 KHz response frequency

MECHANICAL SPECIFICATIONS

| | |
|-----------------------|---|
| Operating Temperature | - 25 ile 85 °C |
| Storage Temperature | - 40 ile 100 °C |
| Body Diameter | 58 mm |
| Response Frequency | 300 Khz |
| Operating Speed | 20.000 RPM max. |
| Hollow Diameter | Different hollow diameters between 6 mm and 20 mm |

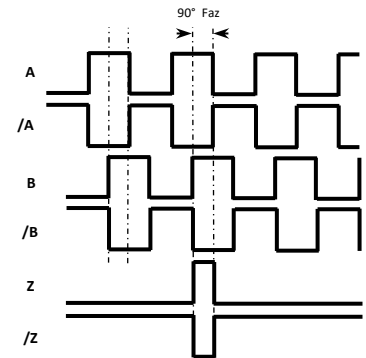
ELECTRICAL SPECIFICATIONS

| | |
|----------------|--|
| Supply Voltage | +5 VDC, +10VDC...30VDC |
| Supply Current | 50mA Nominal |
| Output Type | Push Pull, TTL Line Driver, Open Collector |
| Output Signals | A, /A, B, /B, Z, /Z |
| Output Current | 100mA max. (per channel) |
| Bağlantı | 8 x 0,14 mm ² Shielded cable |

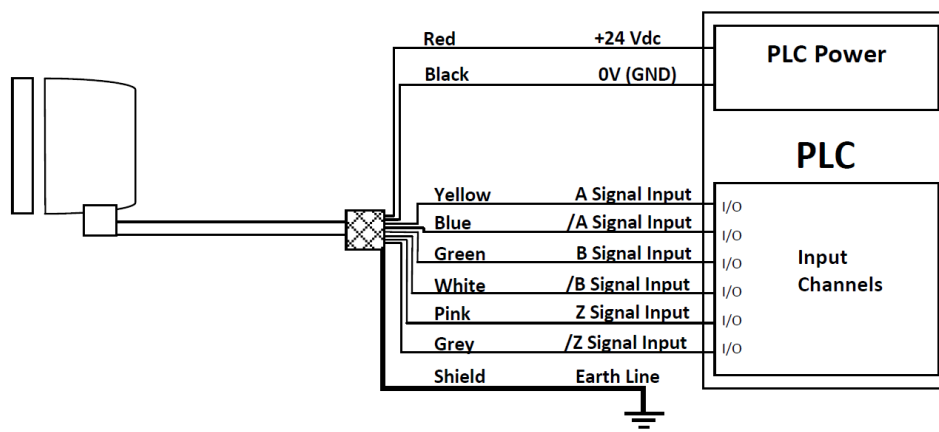
ELECTRICAL CONNECTION AND OUTPUT SIGNAL

In the left tablet the cable colors of sensors output signals are given. If the control circuit is suitable in the Line Driver sensors of the not output signals (/A, /B, /Z) have to be added to the system. If it is not suitable /A, /B, /Z signal cables must be fixed as insulated separately. Don't forget that these edges have electricity too.

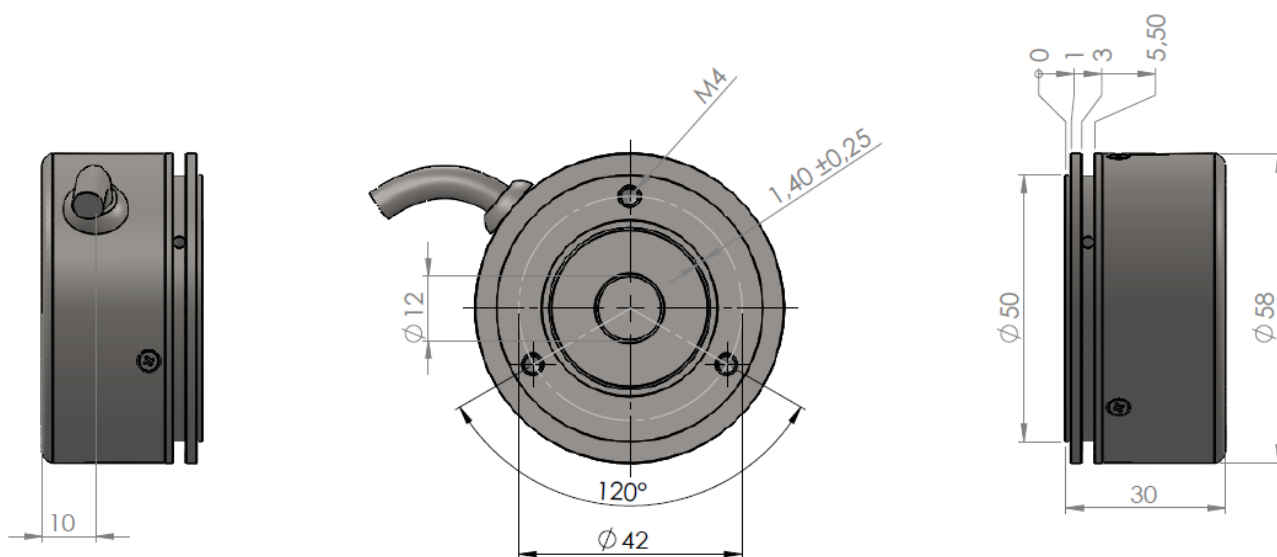
| SIGNAL | CABLE COLOR |
|--------|-------------|
| A | YELLOW |
| /B | WHITE |
| +V | RED |
| 0 V | BLACK |
| /A | BLUE |
| B | GREEN |
| /Z | GREY |
| Z | PINK |
| GROUND | MESH |



SAMPLE APPLICATION



MECHANICAL DIMENSIONS



ORDER CODING

| | | | | | | | | |
|--|--|---|---|--|---|----|---|---|
| Model ART : Non-contact | Body Diameter 58 : 58 mm | Supply and Output Type PP : 10...30 VDC Supply : 10...30VDC Output TTL : 5 VDC Supply : 5 VDC TTL Output HTL : 10...30 VDC Supply : 5 VDC TTL Output HPL : 5...30 VDC Supply : 5...30 VDC Push-Pull Output OCL : NPN Open Collector OCP : PNP Open Collector | Cable Length 3M : 3M (Standart) 5M : 5M 8M : 8M 10M : 10M* *Optional up to 35 meters. | Hollow Diameter Different hollow diameters between 6mm and 20 mm | | | | |
| ART | B | 058 | XXX | XXX | X | XM | X | X |
| Shaft Type B : Semi Hollow Shaft | Resolution Between 1 pulse and 1024 pulses See resolutions* | Output Signals 3 : A, B, Z 6 : A, /A, B, /B, Z, /Z | Cable Direction A : Backside Y : Sidewise AS : Sidewise + Spiral | | | | | |

*Resolutions:

Depending on your needs, all resolution values between 1 pulse and 1024 pulses can be selected.