



- Measurement length 1 meter to 4,8 meters
- 0,8 mm stainless steel wire diameter
- High resolution options;
0,4 - 0,2 - 0,1 mm / Pulse (or optional)
- 5 VDC or 10...30 VDC Power supply
- A, B, Z, /A, /B, /Z Encoder Signal Outputs (Push-Pull or Line Driver)
- High strength stainless steel wire
- 2 m/s maximum speed
- Wide working temperature range of -25 to +85 °C
- Shock/Vibration resistant
- 2,4N Maximum extension force
- Aluminum anodized body

AWE 220 wire encoders are incremental wire transducers that turn a linear motion into coded digital pulses. Optionally other stroke lengths, resolution, cable length and socket connector can be requested.

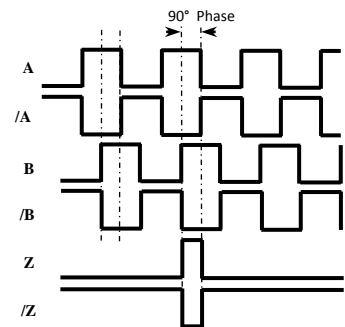
They are made of an incremental encoder, activated by the stroke of a winding or unwinding, stainless steel wire. A special feature is their easy assembling. The linking together to a display or an electronic positioner supplies an excellent system to measure the dimensions on machine tools, automatic, wood, marble, glassworking machinery etc.

TECHNICAL SPECIFICATIONS

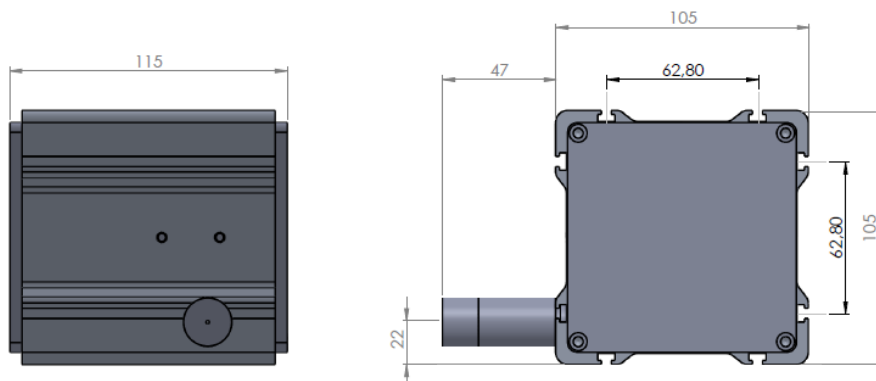
Power Supply	10...30VDC ±%20 , 5VDC ±%5 5...24VDC ±%20 , 5...30VDC ±%20
Resolution (mm / Pulse)	0.4, 0.2(Standard), 0.1mm (Please ask for the other requests)
Stroke Length (mm)	1.000, 1.500, 2.000, 2.500, 3.000, 4.000, 4.800 (Please ask for the other requests)
Accuracy	±0,4 mm/meter
Maximum Speed	2 m/s
Output Signals	AB , ABZ, AB/A/B, ABZ/A/B/Z
Maximum Output Current	Max. 60 mA per channel
Working Temperature	- 25 to +85 °C
Relative Humidity	10 to 90%
Weight	1.000 grams

PIN NO	SIGNAL	CABLE COLOR
1	A	YELLOW
2	/B	WHITE
3	+V	RED
4	0 V	BLACK
5	/A	BLUE
6	B	GREEN
7	/Z	GREY
8	Z	PINK
9	EARTH	SHIELD

In the left tablet the cable colors of sensors output signals are given. If the control circuit is suitable in the Line Driver sensors of the not output signals (/A, /B, /Z) have to be added to the system. If it is not suitable /A, /B, /Z signal cables must be fixed as insulated separately. Don't forget that these edges have electricity too.

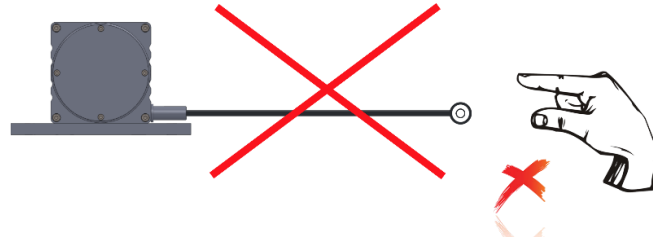


MECHANICAL DIMENSIONS

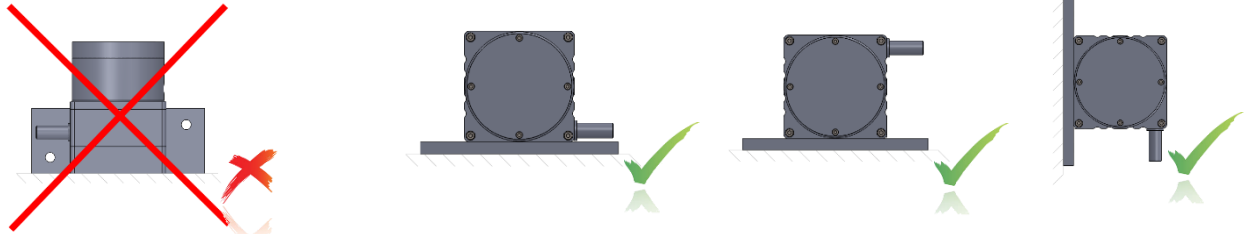


MOUNTING - WARNINGS

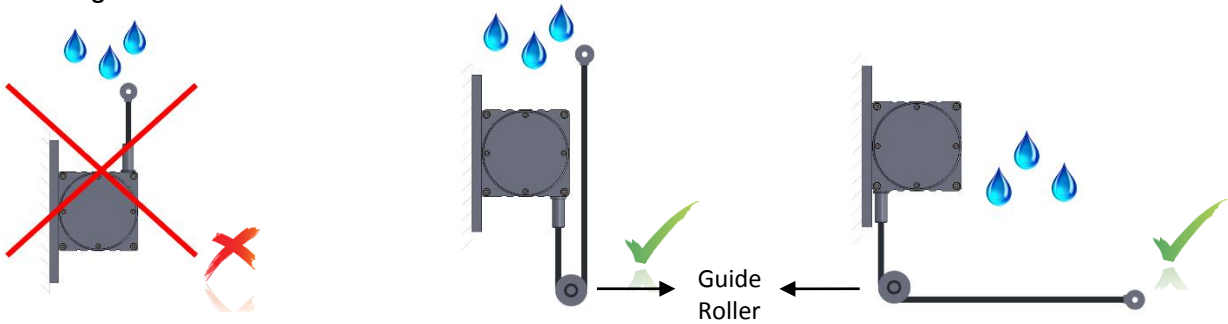
1. Do not release the wire suddenly, after pulling.



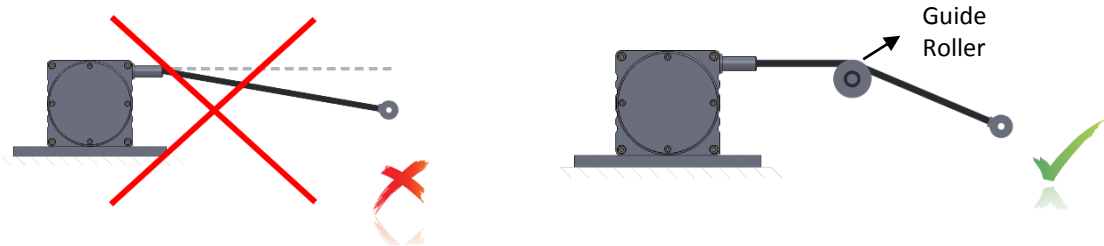
2. The wire encoder must be mounted vertically in position, not be horizontally.



3. If there is a trickle of water (like a rain), the wire outlet must not be a drip of water upstream. If needed please use guide rollers.



4. The wire should not be pulled in angular. If needed, please use guide rollers.



Failure to comply with these recommendations, the malfunctions that may occur will not be under the warranty.

Order Code

Model

AWE 220

Stroke Length

1000	: 1000 mm	1500
	: 1500 mm	2000
	: 2000 mm	2500
	: 2500 mm	3000
	: 3000 mm	4000
	: 4000 mm	4800
	: 4800 mm	

* Please ask us for other requests

Output Signals

3 (A,B,Z)
6 (A,/A,B,/B,Z,/Z)

AWE 220	XX	XXX	XXX	X	3M
	Resolution 04 : 0,4 mm / Pulse 02 : 0,2 mm / Pulse (Standard) 01 : 0,1 mm / Pulse * Please ask us for other requests		Power Supply and Output PP : 10...30 VDC Supply : 10...30VDC Output TTL : 5 VDC Supply : 5 VDC TTL RS422 Line Driver Output HTL : 10...30 VDC Supply : 5 VDC TTL RS422 Line Driver Output HPL : 5...24 VDC Supply : 5...24 VDC Push-Pull Output PTL : 5...30 VDC Supply : 5 VDC TTL RS422 Line Driver Output		Cable Length 3M : 3M (standard) 5M : 5M 10M : 10M S16 : M16 Socket Connector S23 : M23 Socket Connector * Please ask us for other cable lengths and socket connectors

Iran agent

Atek Sensor Technology A.S.



Tel : 021 66 3939 00
Mob : 0912 147 3023
www.IranAtek.ir

Tuzla KOSB Organize Sanayi Bolgesi Melek Aras Bulvari, No:67 34956 Tuzla-Istanbul / TURKEY
Tel: +90 216 399 44 04 Fax: +90 216 399 44 02
www.ateksensor.com info@ateksensor.com